

# DOMETIC OUTDOOR REFRIGERATION

# DOMETIC HERITAGE

WE KNOW REFRIGERATION. WE ARE EXPERTS



Dometic is the world's largest manufacturer of refrigeration solutions for harsh outdoor environments. Our expertise in refrigeration dates back to 1919 when our founders invented and patented absorption cooling technology.

As the global-leader in refrigeration solutions, Dometic has earned the trust of some of the world's most recognized luxury marine, and RV brands such as SIRENA YACHTS, and AIRSTREAM, just to name a few.

Now we bring this expertise to residential backyards with a complete series of Dometic Outdoor Refrigerators. Our experience in the RV and marine industry is embedded in this residential offering.



# E-SERIES OUTDOOR REFRIGERATORS

FULL STAINLESS-STEEL INTERIOR AND EXTERIOR



**DOMETIC EA24F**  
24 Inch Outdoor Refrigerator  
**\$2,999**



**DOMETIC EA24D**  
24 Inch Refrigerated Drawers  
**\$3,899**



**DOMETIC EA24B**  
24 Inch Beverage Center  
**\$3,699**



**DOMETIC EA15F**  
15 Inch Outdoor Refrigerator  
**\$2,299**

# DOMETIC EA24F

## 24 INCH OUTDOOR REFRIGERATOR

- ✓ Outdoor rated
- ✓ Best in class 2-years parts & labor warranty with 5 years of coverage on the sealed system
- ✓ Stainless steel interior and exterior
- ✓ 5.3 cubic feet of storage
- ✓ 3 adjustable height, stainless-steel wire shelves for convenient cooling performance and configurability
- ✓ Temperature range of 34 to 55 degrees.
- ✓ Easy touch control panel & readout provides digital accuracy, simply tap to adjust the set temperature
- ✓ Zero-clearance hinge that is field reversible to either Left or Right hinge positions
- ✓ Blue LED interior illumination
- ✓ Door lock for added security
- ✓ Highly efficient, forced-air refrigeration system offers rapid product cool down and even temperature throughout
- ✓ Low vibration compressor with 45dB noise level
- ✓ R600a Natural Refrigerant provides maximum energy efficiency with zero ozone depletion potential



# DOMETIC EA24D

## 24 INCH REFRIGERATED DRAWERS

- ✓ Outdoor rated
- ✓ Best in class 2-years parts & labor warranty with 5 years of coverage on the sealed system
- ✓ Stainless steel interior and exterior
- ✓ 5.3 cubic feet of storage
- ✓ Extra smooth, full extension drawer slides allow full access to maximize storage capacity
- ✓ Internal storage racks for sorting chilled items
- ✓ Temperature range of 34 to 55 degrees.
- ✓ Easy touch control panel & readout provides digital accuracy, simply tap to adjust the set temperature
- ✓ Blue LED interior illumination
- ✓ Highly efficient, forced-air refrigeration system offers rapid product cool down and even temperature throughout
- ✓ Low vibration compressor with 45dB noise level
- ✓ R600a Natural Refrigerant provides maximum energy efficiency with zero ozone depletion potential



# DOMETIC EA24B

## 24 INCH BEVERAGE CENTER

- ✓ Outdoor rated
- ✓ Best in class 2-years parts & labor warranty with 5 years of coverage on the sealed system
- ✓ Stainless steel interior and exterior
- ✓ Low-E, double pane, UV tinted glass
- ✓ 5.3 cubic feet of storage
- ✓ 1 fixed position, full extension, wine rack
- ✓ 2 adjustable height, stainless-steel wire shelves for convenient cooling performance and configurability
- ✓ Temperature range of 34 to 55 degrees.
- ✓ Easy touch control panel & readout provides digital accuracy, simply tap to adjust the set temperature
- ✓ Zero-clearance hinge that is field reveseable to either Left or Right hinge positions
- ✓ Blue LED interior illumination
- ✓ Door lock for added security
- ✓ Highly efficient, forced-air refrigeration system offers rapid product cool down and even temperature throughout
- ✓ Low vibration compressor with 45dB noise level
- ✓ R600a Natural Refrigerant provides maximum energy efficiency with zero ozone depletion potential



# DOMETIC EA15F

## 15 INCH OUTDOOR REFRIGERATOR

- ✓ Outdoor rated
- ✓ Best in class 2-years parts & labor warranty with 5 years of coverage on the sealed system
- ✓ Stainless steel interior and exterior
- ✓ 3.2 cubic feet of storage
- ✓ 3 adjustable height, stainless-steel wire shelves for convenient cooling performance and configurability
- ✓ Temperature range of 34 to 55 degrees.
- ✓ Easy touch control panel & readout provides digital accuracy, simply tap to adjust the set temperature
- ✓ Zero-clearance hinge that is field reversible to either Left or Right hinge positions
- ✓ Blue LED interior illumination
- ✓ Door lock for added security
- ✓ Highly efficient, forced-air refrigeration system offers rapid product cool down and even temperature throughout
- ✓ Low vibration compressor with 45dB noise level
- ✓ R600a Natural Refrigerant provides maximum energy efficiency with zero ozone depletion potential









# D-SERIES OUTDOOR REFRIGERATORS

STAINLESS-STEEL DOOR & VENT



**DOMETIC DE24F**  
24 Inch Outdoor Refrigerator  
**\$2,259**



**DOMETIC DE15F**  
15 Inch Outdoor Refrigerator  
**\$1,659**

# DOMETIC DE24F

## 24 INCH OUTDOOR REFRIGERATOR

- ✓ Outdoor rated
- ✓ Best in class 2-years parts & labor warranty with 5 years of coverage on the sealed system
- ✓ Stainless steel door and vent
- ✓ 5.3 cubic feet of storage
- ✓ 3 adjustable height, wire shelves for convenient cooling performance and configurability
- ✓ Temperature range of 34 to 55 degrees.
- ✓ Easy touch control panel & readout provides digital accuracy, simply tap to adjust the set temperature
- ✓ Zero-clearance hinge that is field reversible to either Left or Right hinge positions
- ✓ White LED interior illumination
- ✓ Door lock for added security
- ✓ Highly efficient, forced-air refrigeration system offers rapid product cool down and even temperature throughout
- ✓ Low vibration compressor with 45dB noise level
- ✓ R600a Natural Refrigerant provides maximum energy efficiency with zero ozone depletion potential



# DOMETIC DE24F

## 24 INCH OUTDOOR REFRIGERATOR

- ✓ Outdoor rated
- ✓ Best in class 2-years parts & labor warranty with 5 years of coverage on the sealed system
- ✓ Stainless steel door and vent
- ✓ 3.0 cubic feet of storage
- ✓ 3 adjustable height, wire shelves for convenient cooling performance and configurability
- ✓ Temperature range of 34 to 55 degrees.
- ✓ Easy touch control panel & readout provides digital accuracy, simply tap to adjust the set temperature
- ✓ Zero-clearance hinge that is field reversible to either Left or Right hinge positions
- ✓ White LED interior illumination
- ✓ Door lock for added security
- ✓ Highly efficient, forced-air refrigeration system offers rapid product cool down and even temperature throughout
- ✓ Low vibration compressor with 45dB noise level
- ✓ R600a Natural Refrigerant provides maximum energy efficiency with zero ozone depletion potential





# DOMETIC OUTDOOR REFRIGERATOR

## RESOURCE MATERIALS



**Dometic EA24D**  
24-inch two-drawer outdoor refrigerator,  
5.3 cubic feet cold storage



**Dometic EA24F**  
24-inch outdoor refrigerator,  
5.3 cubic feet cold storage



**Dometic EA24B**  
24-inch outdoor beverage center,  
5.3 cubic feet cold storage



**Dometic EA15F**  
15-inch outdoor refrigerator,  
3.2 cubic feet cold storage



**Dometic DE24F**  
24-inch outdoor refrigerator,  
5.3 cubic feet cold storage

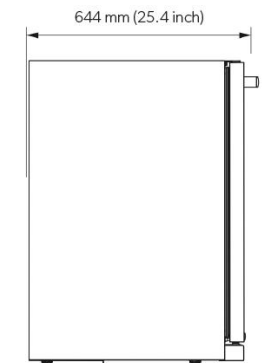
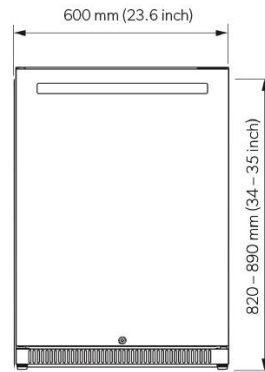


**Dometic DE15F**  
15-inch outdoor refrigerator,  
3.2 cubic feet cold storage



### DOMETIC OUTDOOR REFRIGERATOR

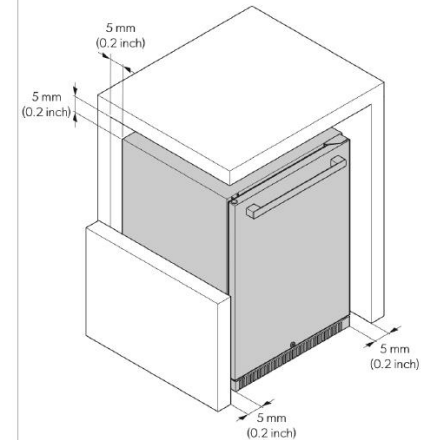
EA24B, EA24D, EA24F | 24 Inch Outdoor Refrigerator



#### Specifications

<b>GENERAL</b>	<b>Model</b> EA24B, EA24D, EA24F <b>Internal Volume</b> 5.3 cubic feet
<b>ELECTRICAL</b>	<b>Input Voltage</b> 120V, 60Hz, 4A <b>Rated Input Power</b> 110 W <b>Cord Length</b> 6 feet <b>Energy Star Certified</b> Yes (EA24D, EA24F only)
<b>REFRIGERATION</b>	<b>Ambient Temperature</b> 50 °F to 100 °F <b>Operational Temperature</b> 34 °F to 72 °F <b>Propellant</b> Cyclopentane <b>Refrigerant</b> R600a
<b>OVERALL DIMENSIONS</b>	<b>Width - In.</b> 23.6" <b>Depth - In.</b> 25.4" <b>Height - In. (mm)</b> 34"-35"
<b>CUTOUT DIMENSIONS</b>	<b>Opening Width</b> 24.25" <b>Opening Height</b> 34"-35" <b>Opening Depth</b> 26"

#### INSTALLATION



Note: For detailed installation guide, refer to product manual  
Dometic.com/home

Rev. 06-13-23

